

# HONDA INSTALLATION INSTRUCTIONS

Accessory

UNDER SEAT TRAY  
P/N 08U40-SX0-100

Application

1997 ODYSSEY  
(SIX PASSENGER)

Publications No.

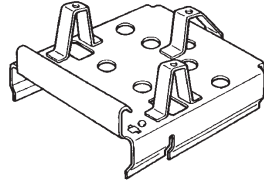
All 18327

Issue Date

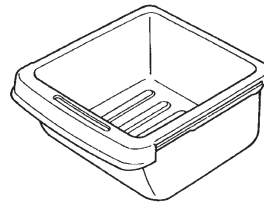
OCT 1996

## PARTS LIST

Mounting bracket



Tray



3 Screw grommets



3 Self-tapping screws



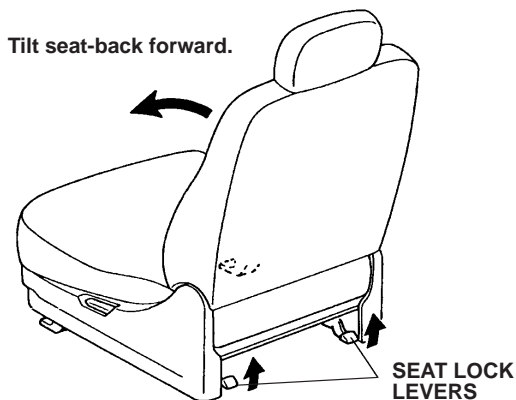
## TOOLS REQUIRED

Phillips screwdriver

## INSTALLATION

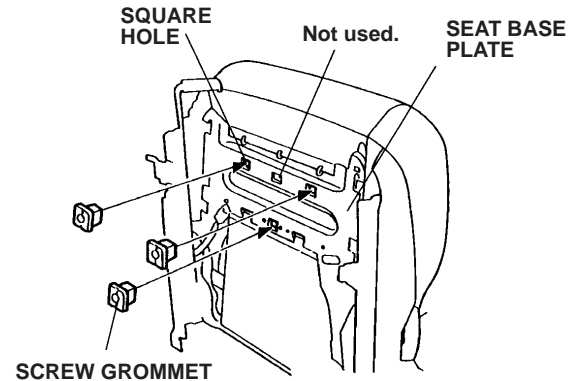
NOTE: The tray can be installed under any rear captain's chair.

1. Slide the front seat forward (driver's side or passenger's side).
2. Tilt the seat-back forward on the rear captain's seat, then pull up on the two seat lock levers at the back of the seat.

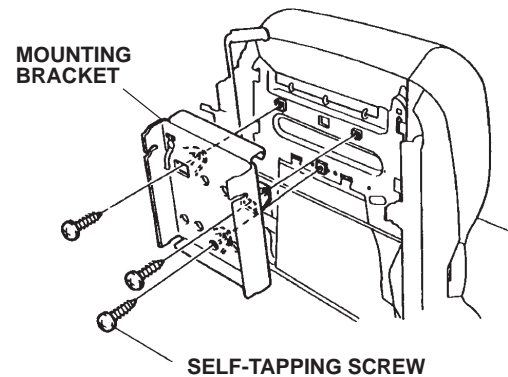


3. Lift up on the seat base to gain access to the seat base plate.

4. Press the three plastic screw grommets into the three square holes in the seat base plate.



5. Position the mounting bracket over the seat base plate, and install the three self-tapping screws. Tighten the screws securely.



6. Lower the seat base, and lock it in place with the seat locks; then return the seat-back to the upright position.
7. Install the tray in the mounting bracket, and check for smooth operation of the tray.

