



INSTALLATION INSTRUCTIONS

Accessory

REAR SPLASH GUARDS
P/N 08P09-SX0-100F

Application

1998 ODYSSEY

Publications No.

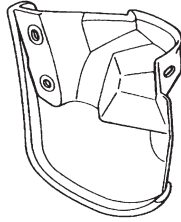
All 19315

Issue Date

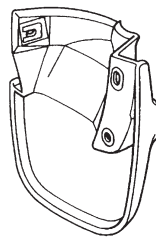
NOV 1997

PARTS LIST

Right rear splash guard



Left rear splash guard



6 Self-tapping screws



6 Spring nuts



2 Grommets



TOOLS REQUIRED

Stubby Phillips screwdriver

Awl

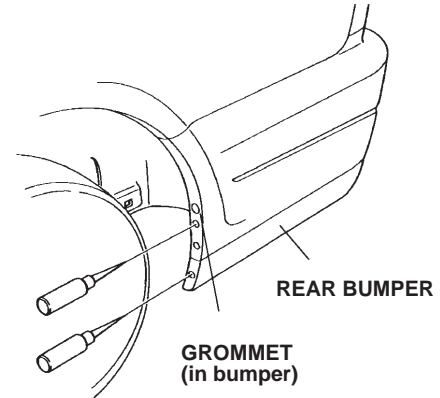
INSTALLATION

NOTE:

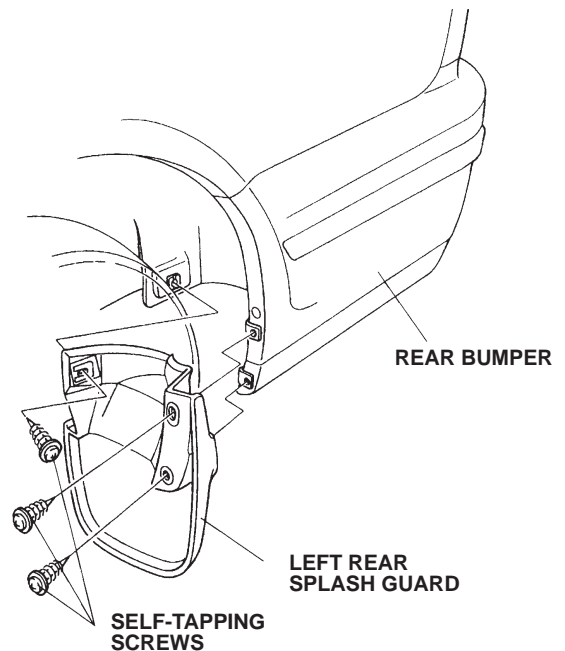
In these instructions the illustrations show the left rear splash guard being installed. The same procedure applies to installing the right rear splash guard.

1. Make sure the area to be covered is clean and has been waxed with a high-quality paste wax.

2. Using an awl, poke a hole through each of the two dimples in the rear bumper at the driver's side of the vehicle.



3. Slide two new spring nuts over the dimpled areas of the rear bumper. Press a new plastic grommet into the square hole in the fenderwell.



4. Position the left rear splash guard on the fender and rear bumper, and install three self-tapping screws. Tighten the self-tapping screws securely.
5. Repeat steps 2 through 4 to install the right rear splash guard on the passenger's side of the vehicle.