

HONDA INSTALLATION INSTRUCTIONS

Accessory

ENGINE BLOCK HEATER
P/N 08T44-SV4-100

Application

1997 ODYSSEY

Publications No.

All 18335

Issue Date

OCT 1996

PARTS LIST

NOTE: Installation of the engine block heater requires that the vehicle be raised on a hoist and that the coolant be replaced. This installation should be done only by an authorized Honda Dealer.

Engine block heater



Washer



Heater harness



Protective cap



9 Wire ties



TOOLS AND SUPPLIES REQUIRED

19 mm and 24 mm Sockets

Ratchet

Phillips screwdriver

Diagonal cutters

Torque wrench

Antifreeze (Honda antifreeze/coolant only, in a 50/50 solution with water)

NOTICE

- Always use Genuine Honda Antifreeze/Coolant. Using a non-Honda coolant can result in corrosion, causing the cooling system to malfunction or fail.
- To avoid burning out the element, do not operate the engine block heater before it is installed in the vehicle or before you add coolant.

INSTALLATION

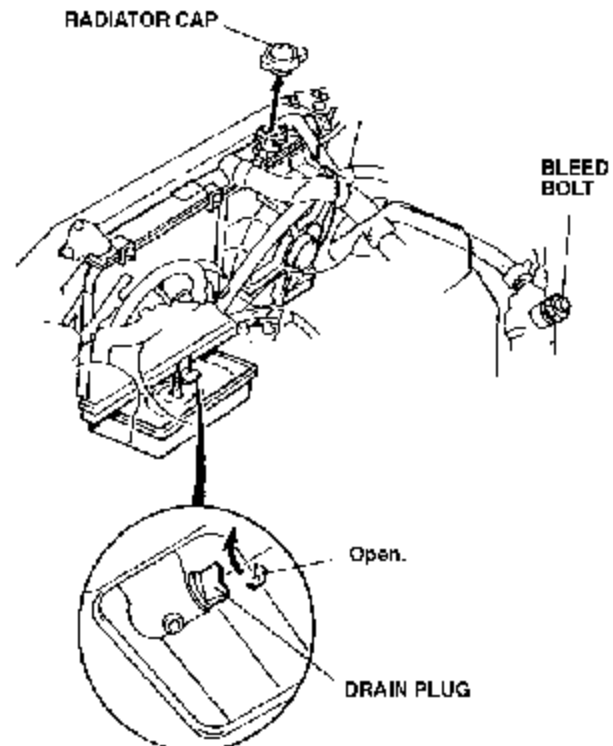
Before You Begin:

Allow the engine and all cooling system components to cool down.

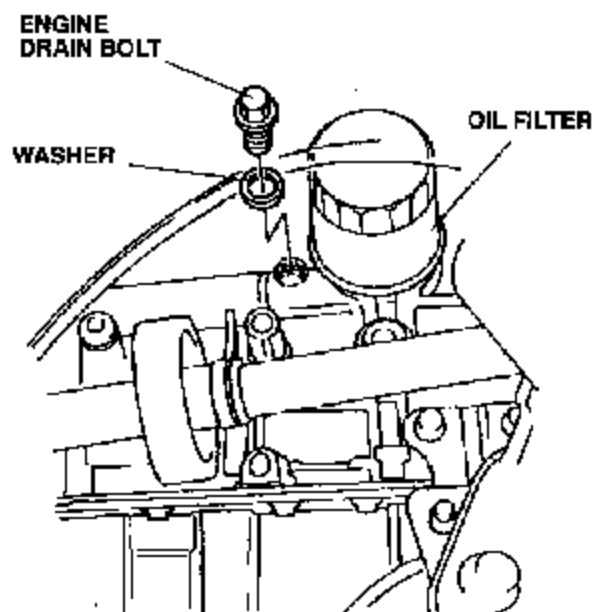
1. Make sure you have the anti-theft code for the radio, then write down the frequencies for the preset buttons.
2. Disconnect the negative battery cable from the battery.

NOTICE Radiator coolant will damage paint. Quickly rinse any spilled coolant from painted surfaces.

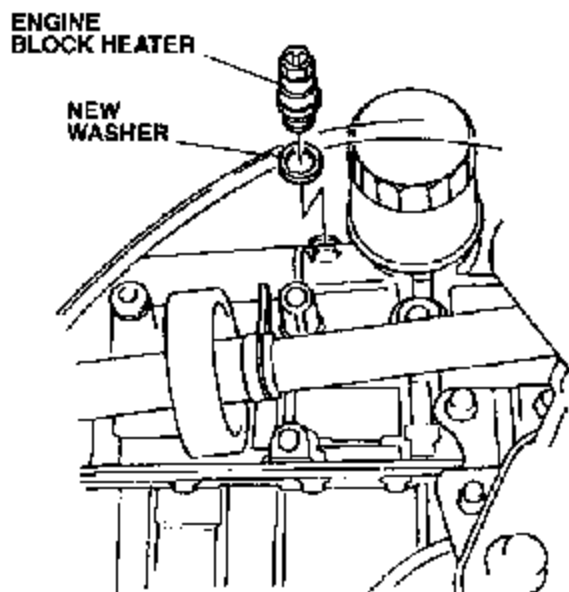
3. Place a clean drain pan under the radiator drain plug, then remove the drain plug from the rear of the radiator to drain the coolant. Remove the radiator cap, and loosen the bleed bolt to increase the flow.



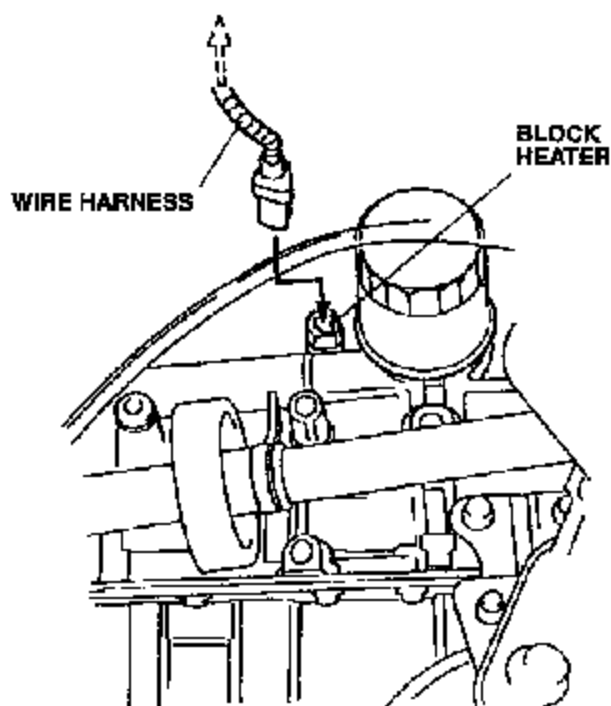
- Remove the bolt and the washer from the engine block on the left side near the oil filter. Coolant remaining in the engine jackets will flow out of the bolt hole when the bolt is removed. (Retain the bolt and washer in case the block heater is removed.)



- Install the new washer and the engine block heater into the bolt hole using a 24 mm socket and a torque wrench; torque the engine block heater to 60 N·m (44 lb-ft).

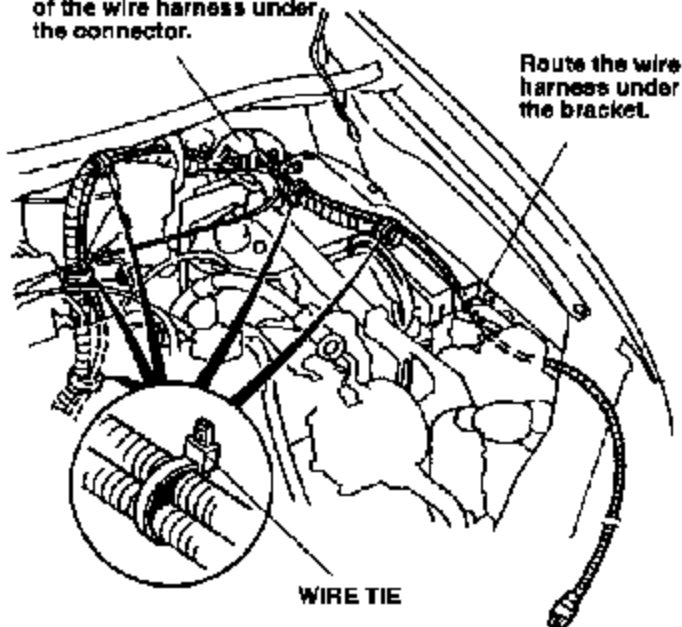


- Plug the connector of the wire harness into the block heater, and route the wire harness over the engine.



- Route the wire harness along the engine harness toward the front bumper.

Route the loose portion of the wire harness under the connector.



- Secure the wire harness to the engine harness with five wire ties. Cut the excess off each wire tie.