

HONDA INSTALLATION INSTRUCTIONS

Accessory
GOLD EMBLEM KIT

Application
1997 ODYSSEY

Publication No.
All 18336
Issue Date
OCT 1996

PARTS LIST

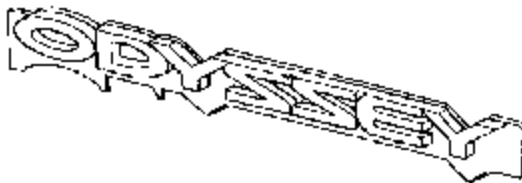
Front "H" emblem



Rear "H" emblem
(with clips)



Rear "ODYSSEY" emblem



2 Push nuts
(for front "H" emblem)



TOOLS AND SUPPLIES REQUIRED

Flat tip screwdriver

Isopropyl alcohol

Shop towel

Long-nose pliers

Masking tape

String

10 mm combination wrench

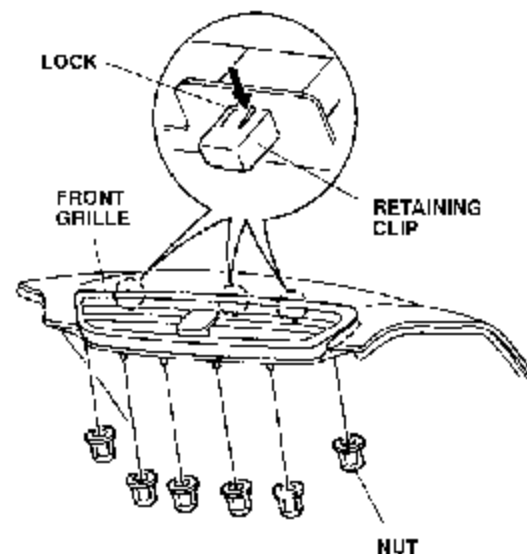
INSTALLATION

Before You Begin:

- Be especially careful not to **damage** the body finish when you remove and install the emblems.
- This emblem kit should be installed only when the ambient air temperature is 60°F (15°C) or above.
- To allow the adhesive to cure, do not wash the vehicle for 24 hours.

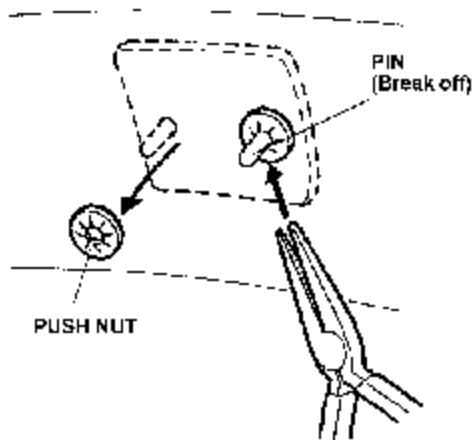
Installing the Front Emblem

1. Open the engine hood.
2. From behind the front grille, remove the six nuts fastening the front grille.

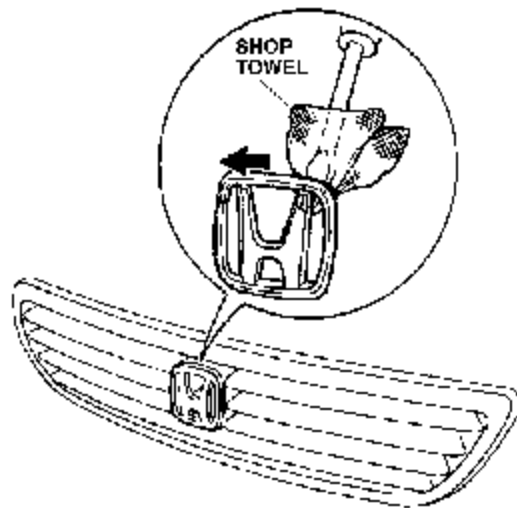


3. While pressing down on the retaining tabs of the clips with the end of a flat tip screwdriver, remove the front grille by pulling it toward you.

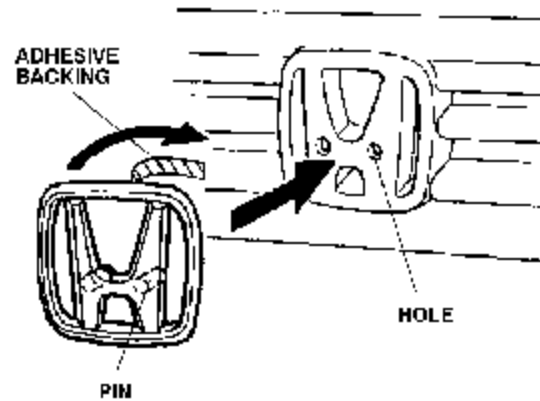
4. Using long nose pliers, break the two pins off the old "H" emblem, and remove the two push nuts. Remove and discard the emblem and the push nuts.



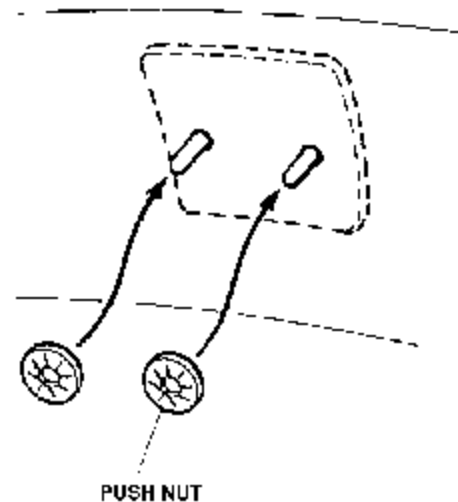
5. Remove the old emblem from the front grille by inserting the end of a flat tip screwdriver between the emblem and front grille. To prevent damage to the front grille, use a shop towel between the screwdriver and the front grille.



6. Remove any remaining adhesive tape from the front grille, then clean the "H" emblem area with isopropyl alcohol.
7. Remove the adhesive backing from the gold "H" emblem, and attach it to the front grille by aligning its pins with the holes in the front grille. Press the emblem firmly against the front grille with the palm of your hand.

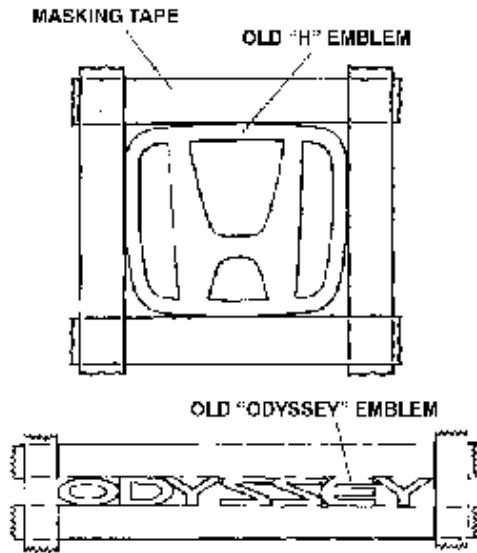


8. Slide the push nuts onto the pins projecting through the front grille. While pressing the emblem firmly against the front grille, push the nuts securely with a pair of long nose pliers.

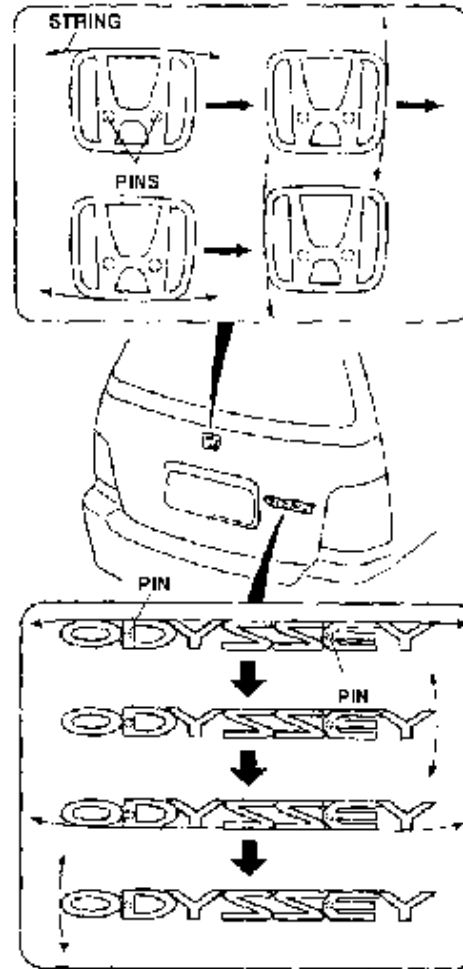


Installing the Rear "H" and "ODYSSEY" Emblems

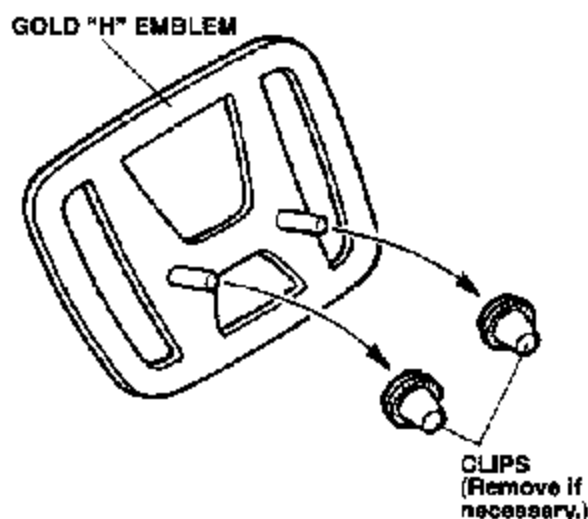
9. To prevent damage to the body finish, attach masking tape around the original rear "H" and "ODYSSEY" emblems.



10. Remove the original emblems by cutting the outer edges with a piece of string. Note the locations of the pins on the emblems.

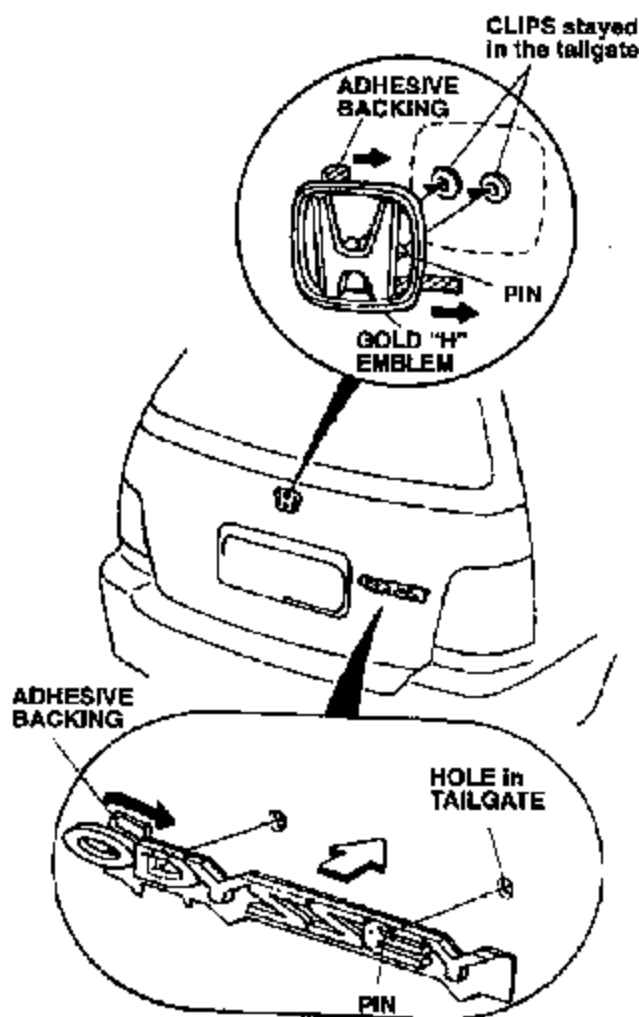


- If any original clip(s) stay in the tailgate when you remove the emblem, be sure to remove the same clip(s) on the new gold emblem.



11. Using isopropyl alcohol on a shop towel, clean the areas where the emblems were removed.

12. Remove the adhesive backing from the gold "H" emblem, align the tabs on the emblem with the holes in the tailgate, and attach it to the vehicle so it lines up with the tape. Press the emblem firmly against the trunk lid with the palm of your hand.



13. Remove the adhesive backing from the gold "ODYSSEY" emblem, align the tabs on the emblem with the holes in the tailgate, and attach it to the vehicle so it lines up with the tape. Press the emblem firmly against the trunk lid with the palm of your hand.

14. Remove the masking tape.

NOTE: After the emblem kit is installed, tell your customer not to wash the vehicle for 24 hours to give the adhesive time to cure.