

**H HONDA****INSTALLATION  
INSTRUCTIONS**

Necessary

**GOLD EXHAUST  
PIPE FINISHER  
P/N 08F53-SX0-100**

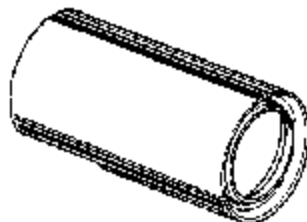
Application

**1997 ODYSSEY**

Publications No.

**All 1B337**

Issue Date

**OCT 1996****PARTS LIST**Gold exhaust  
pipe finisher

6 mm Flange bolt

**TOOLS REQUIRED**

10 mm Combination wrench

10 mm Socket

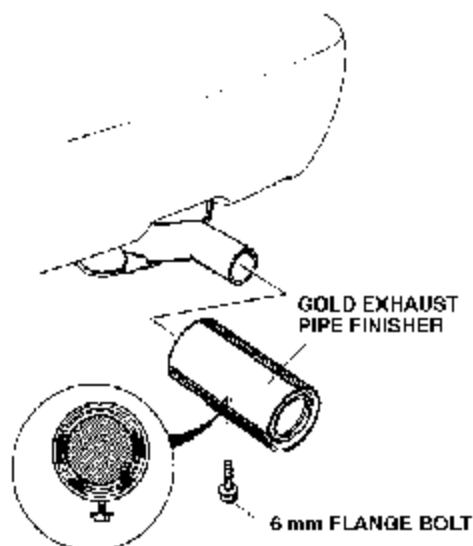
Torque wrench

**INSTALLATION**

Before You Begin:

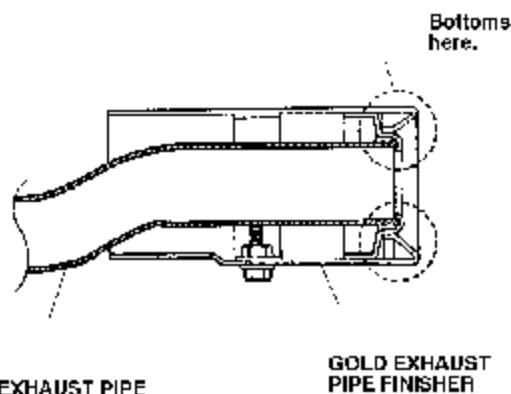
Allow the exhaust pipe to cool down before you install the exhaust pipe finisher.

1. Remove the original exhaust pipe finisher.
2. Partially thread the 6 mm flange bolt into the gold exhaust pipe finisher.

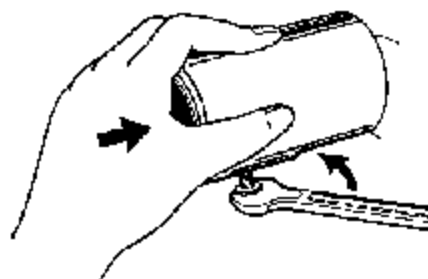


Install with the bolt facing down.

3. With the 6 mm flange bolt facing down, slide the gold exhaust pipe finisher onto the exhaust pipe until it bottoms against the exhaust pipe.



4. While pushing the gold exhaust pipe finisher firmly against the exhaust pipe, torque the 6 mm flange bolt to 7 to 12 N·m (5 to 8 lb-ft).



5. Start the engine, and rev it up a few times. Listen for any rattling noise coming from the gold exhaust pipe finisher, and adjust as necessary.