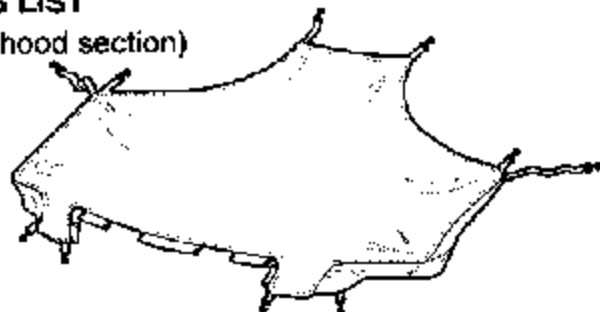
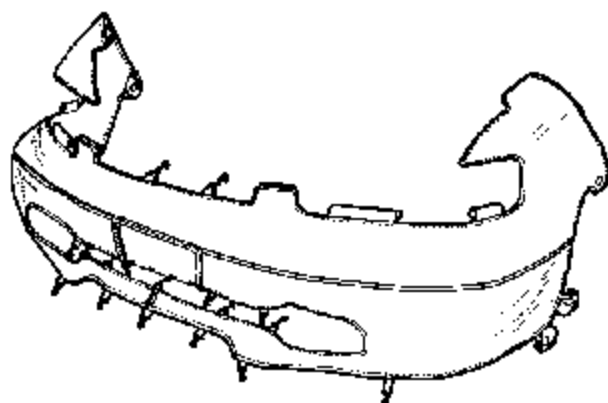


PARTS LIST

Mask (hood section)



Mask (bumper section)



2 Snap-screws



2 Fenderwell nuts



2 Washers



Storage bag



TOOLS REQUIRED

#2 Phillips screwdriver

Utility knife

INSTALLATION

Before You Begin:

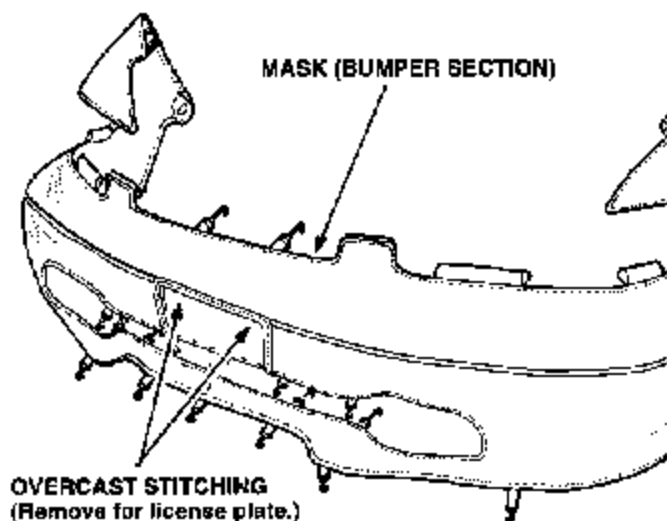
NOTICE To avoid damaging the mask or the paint, do this:

- Be sure the vehicle and the nose mask are clean and completely dry before installation. If moisture under the mask is allowed to dry, it may cloud the paint. If the mask gets wet, remove it and allow it to air-dry completely.
- Be sure any repainted surfaces are cured.
- Be sure the hood and nose of the vehicle have been waxed with a high-quality paste wax.
- Be sure to install the nose mask securely. If the mask starts to flap or comes loose while driving, safely pull off the highway, stop the vehicle, and secure or remove the mask.

Displaying the License Plate

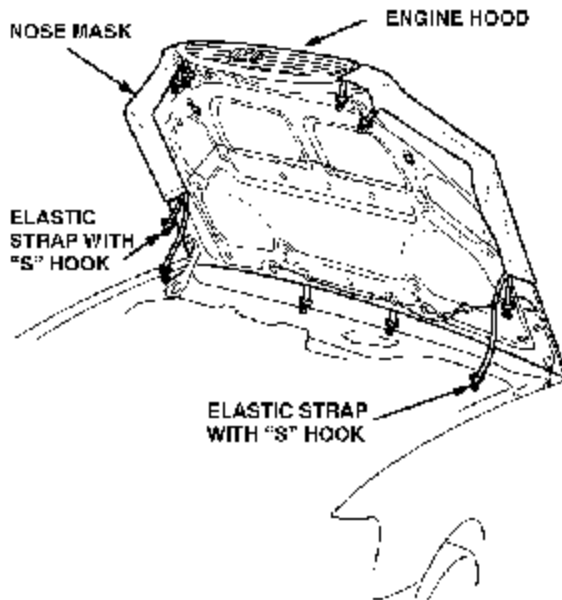
If your state law requires the display of both license plates, cut out the piece in the bumper section that covers the front license plate.

- Face the inside of the mask toward you.
- Using a utility knife, carefully cut out the overcast stitching, and remove the license plate section.

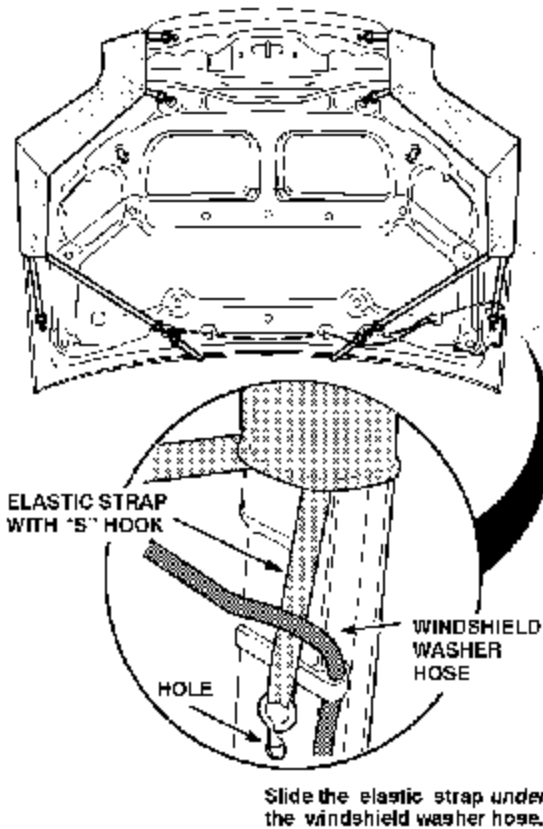


Installing the Hood Section

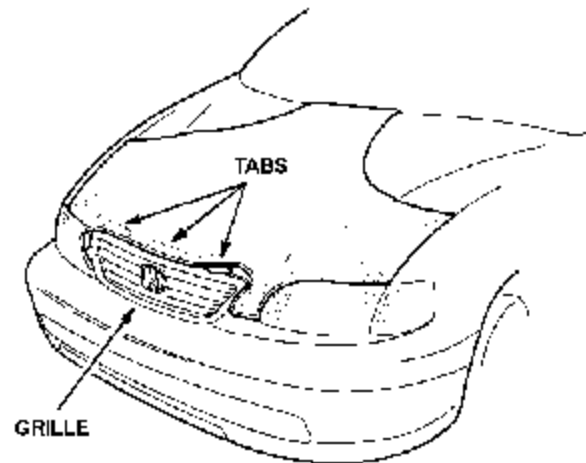
1. Open the hood. Fit the corners of the mask around the hood; adjust it so that it fits smoothly over the edges.



2. Secure the mask by hooking the 10 elastic straps to the holes in the back of the hood.

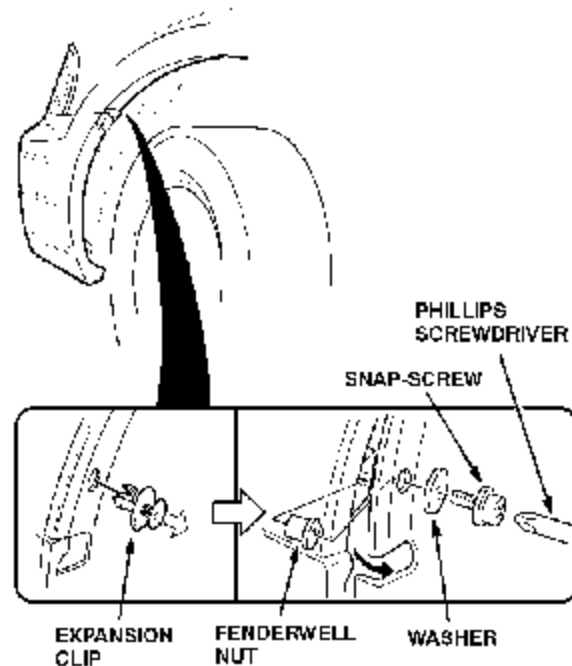


3. Install the five tabs around the grille.



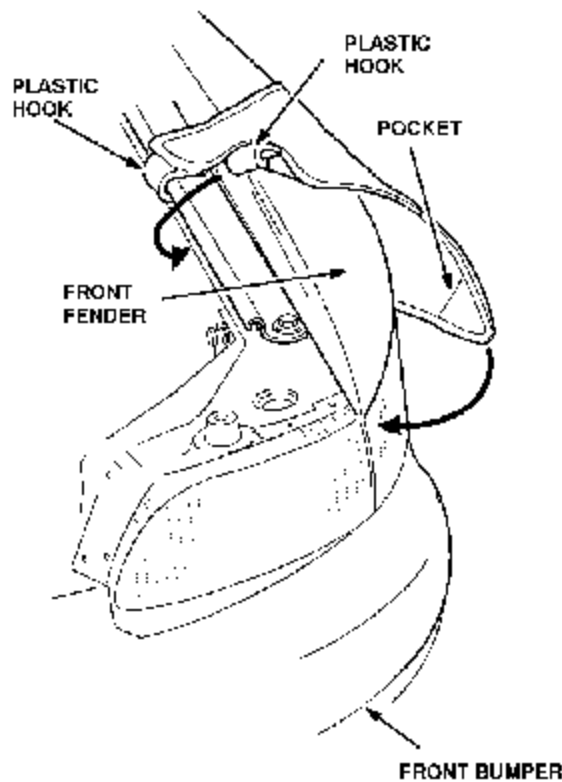
Installing the Bumper Section

4. For best access, turn the wheels all the way in at the side you're working on. Unscrew the plastic screw, and pry out the expansion clip that fastens the inner fender to the fender. Clean the area around the hole. (Do not discard the clip and screw, they can be reinstalled if the mask is removed.)

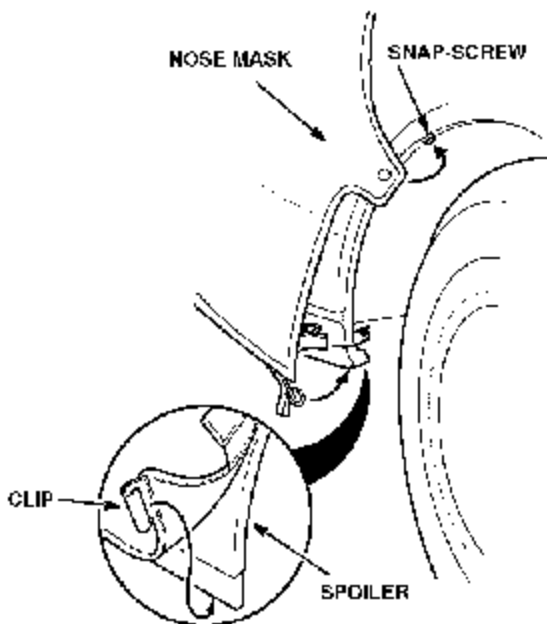


5. Pull the inner fender away, and press one fenderwell nut into the hole in the fender flange.
6. With its washer in place, securely tighten a snap-screw into the fenderwell nut.
7. Repeat steps 4 through 6 on the other side of the vehicle.

- Slip the pocket of the mask's fender section onto the front corner of the fender. Repeat on the other side.

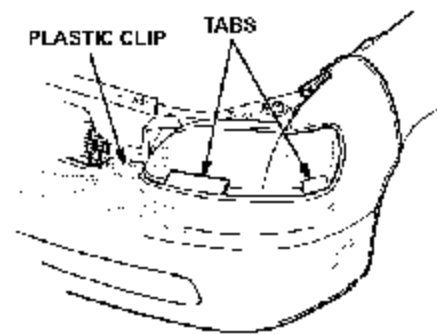


- Attach the two plastic hooks to the top inside edge of the fender. Repeat on the other side.
- Snap the mask to the snap screw. Repeat on the other side.

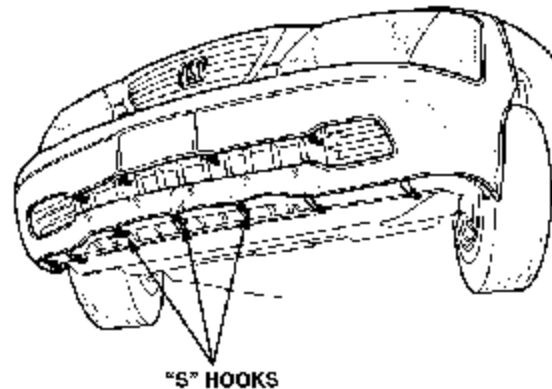


- Attach the clip of the mask's spoiler section onto the bottom corner of the spoiler. Repeat on the other side.

- Insert the upper tabs of the mask into the headlight and front bumper. Attach the plastic clip to the bumper. Repeat on the other side.



- Attach the nine "S" hooks to the edges of the front bumper grille opening.



- Attach the "S" hooks to the bottom edge of the front bumper and splash shield.
- Put these instructions in the glove box for future reference.
- Put the plastic screw and the expansion clip (removed in step 4) in the glove box.

CLEANING THE NOSE MASK

Use a sponge or cloth and a solution of mild liquid dishwashing soap and water to clean the vinyl and the flannel backing. Rinse the mask completely with clean water and hang it to dry, out of direct sunlight. Make sure the mask is completely dry before you reinstall it.