

# HONDA INSTALLATION INSTRUCTIONS

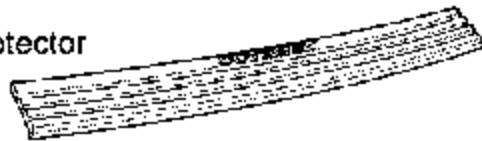
Accessory  
**REAR BUMPER  
PROTECTOR**  
P/N 08L69-SX0-100

Application  
**1997 ODYSSEY**

Publications No.  
**All 18338**  
Issue Date  
**DEC 1996**

## PARTS LIST

Rear bumper protector



## TOOLS AND SUPPLIES REQUIRED

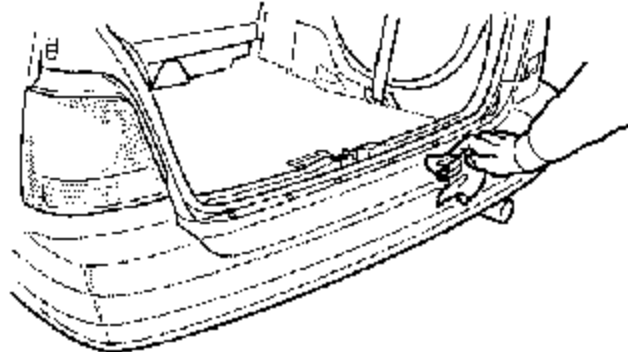
Isopropyl alcohol  
Shop towel

## INSTALLATION

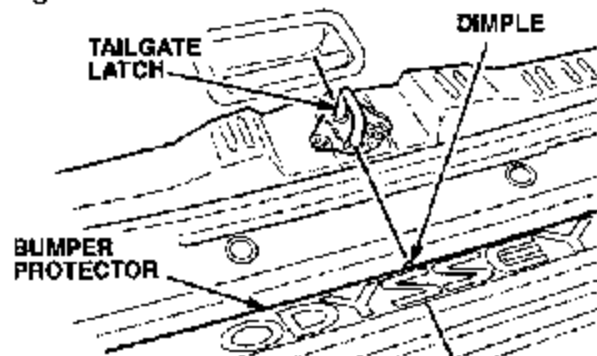
Before You Begin:

- The rear bumper protector should be installed only when the ambient air temperature is 70°F (21°C) or above.
- To allow the adhesive to cure, do not wash the vehicle for 24 hours.

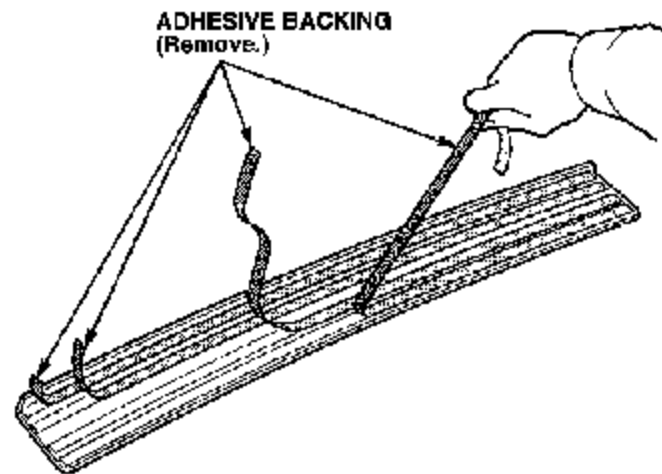
1. Open the tailgate.
2. Using isopropyl alcohol on a shop towel, clean the rear bumper where the rear bumper protector will attach.



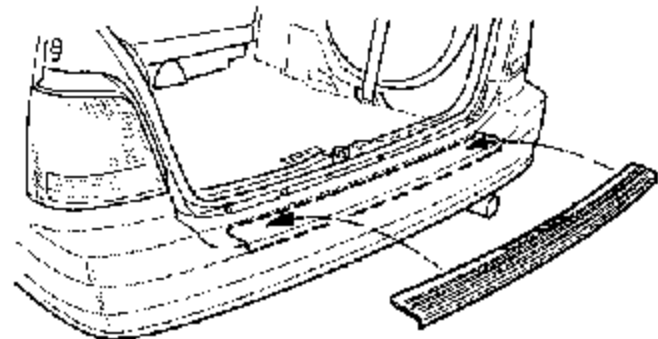
3. Temporarily place the rear bumper protector on the rear bumper. Align the dimple on the center of the rear bumper protector with the tailgate latch.



4. Remove the adhesive backing strips from the rear of the bumper protector.



5. Align the dimple with the tailgate latch, and attach the rear bumper protector to the rear bumper. Press firmly on the bumper protector where the adhesive tape is attached.



**NOTE:** After the rear bumper protector is installed, tell your customer not to wash the vehicle for 24 hours to give the adhesive time to "cure."