

**INSTALLATION
INSTRUCTIONS**

Accessory

ROOF BASKET
P/N 08L08-SM5-101

Application

1995 ODYSSEY
WITH OPTIONAL
ROOF RACK

Publications No.

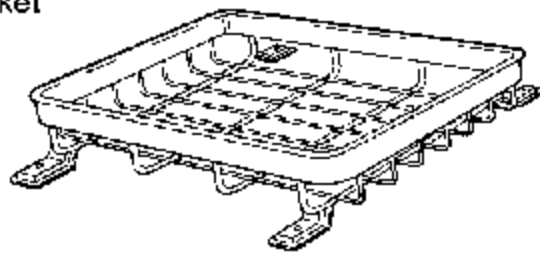
All 16985

Issue Date

FEB 1995

PARTS LIST

Roof basket

Allen wrench
(5 mm)4 Hex socket bolts
(6 x 22 mm, not used)4 Hex socket bolts
(6 x 16 mm)

4 Washers



4 Collars

4 Plate nuts
(not used)4 Plate nuts
(small)

4 Nut holders

**TOOLS AND SUPPLIES REQUIRED**

#3 Phillips screwdriver

Utility knife

Tape measure

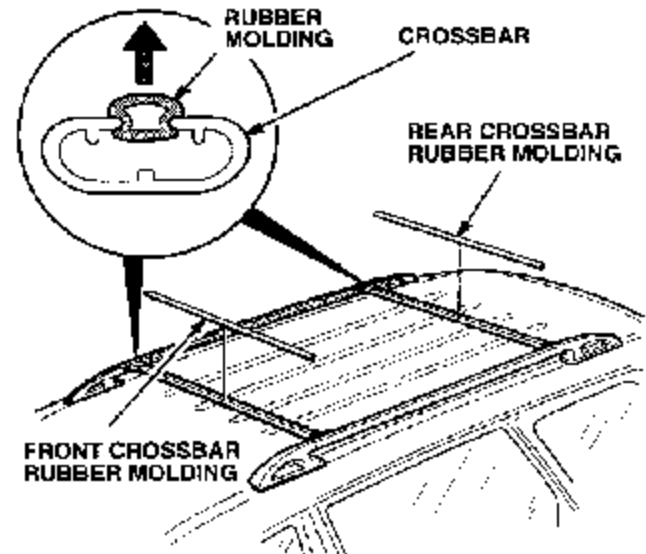
T-25 Torx driver

INSTALLATION

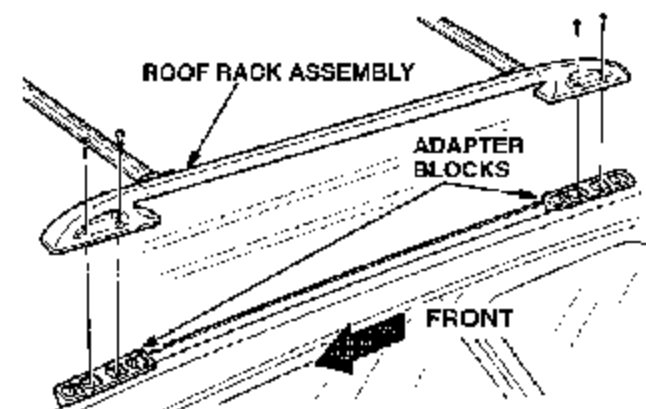
Before You Begin:

Be careful not to damage the painted surfaces of the vehicle when installing the roof basket.

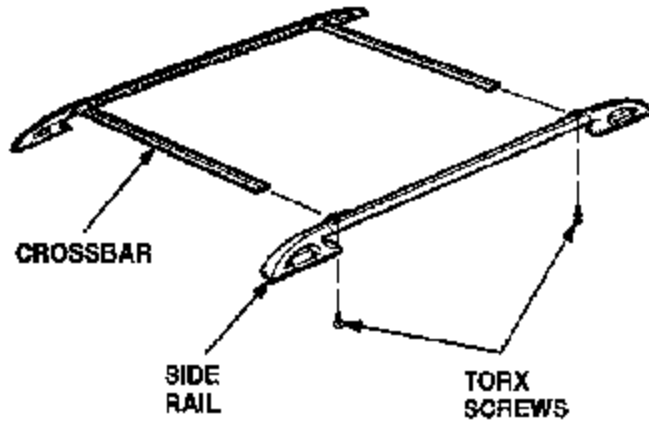
1. Remove the rubber molding from the front and rear roof rack crossbars. Retain the rubber molding to be reinstalled later.



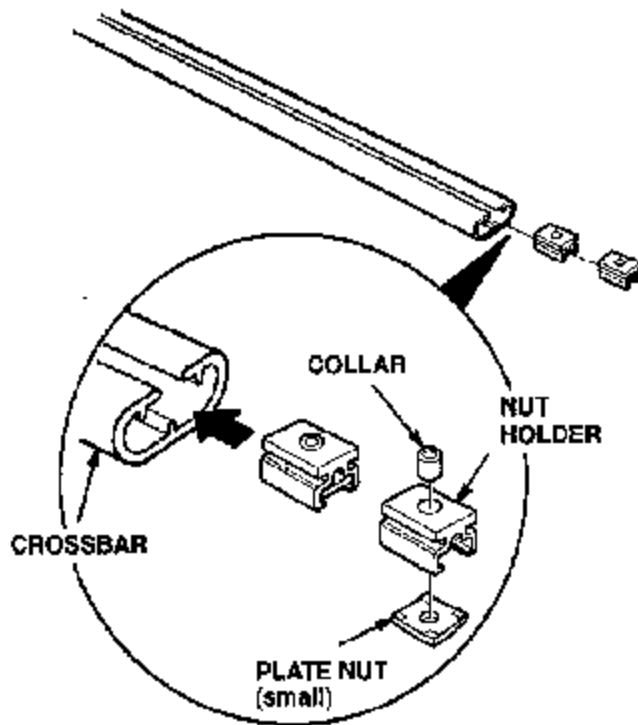
2. Remove the roof rack assembly from the roof (eight Phillips screws). Leave the adapter blocks in their original positions.



3. Using a T-25 Torx driver, remove the Torx screw from each of the roof rack crossbars (front and rear); then remove the side rail from the roof rack.

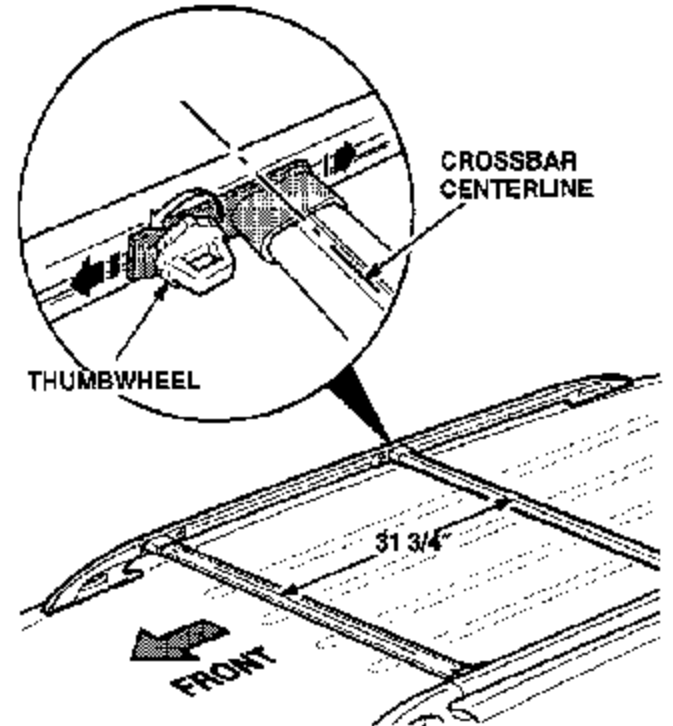


4. Install a collar and a small plate nut (flat side up) into each of the four nut holders; then slide two of the plate nut assemblies into the center groove of the roof rack crossbar. Repeat this step for the other crossbar.

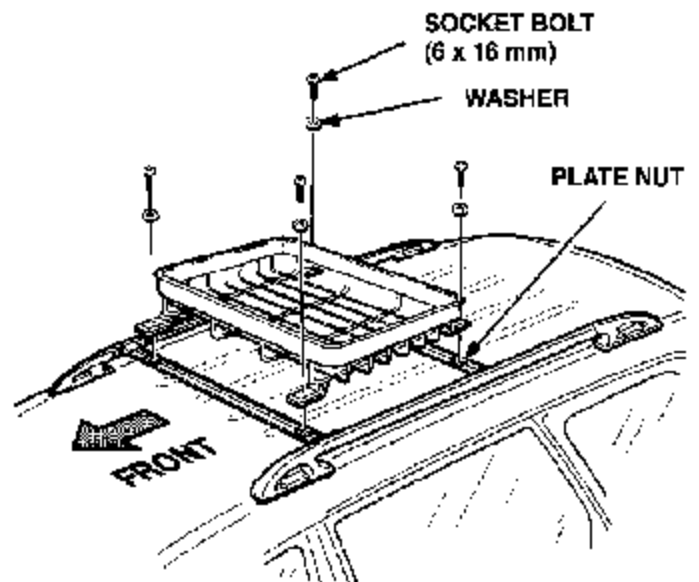


5. Reinstall the side rail on the roof rack, then install the Torx screws removed in step 3. Tighten the screws securely.
6. Reinstall the roof rack, and tighten the eight screws securely.

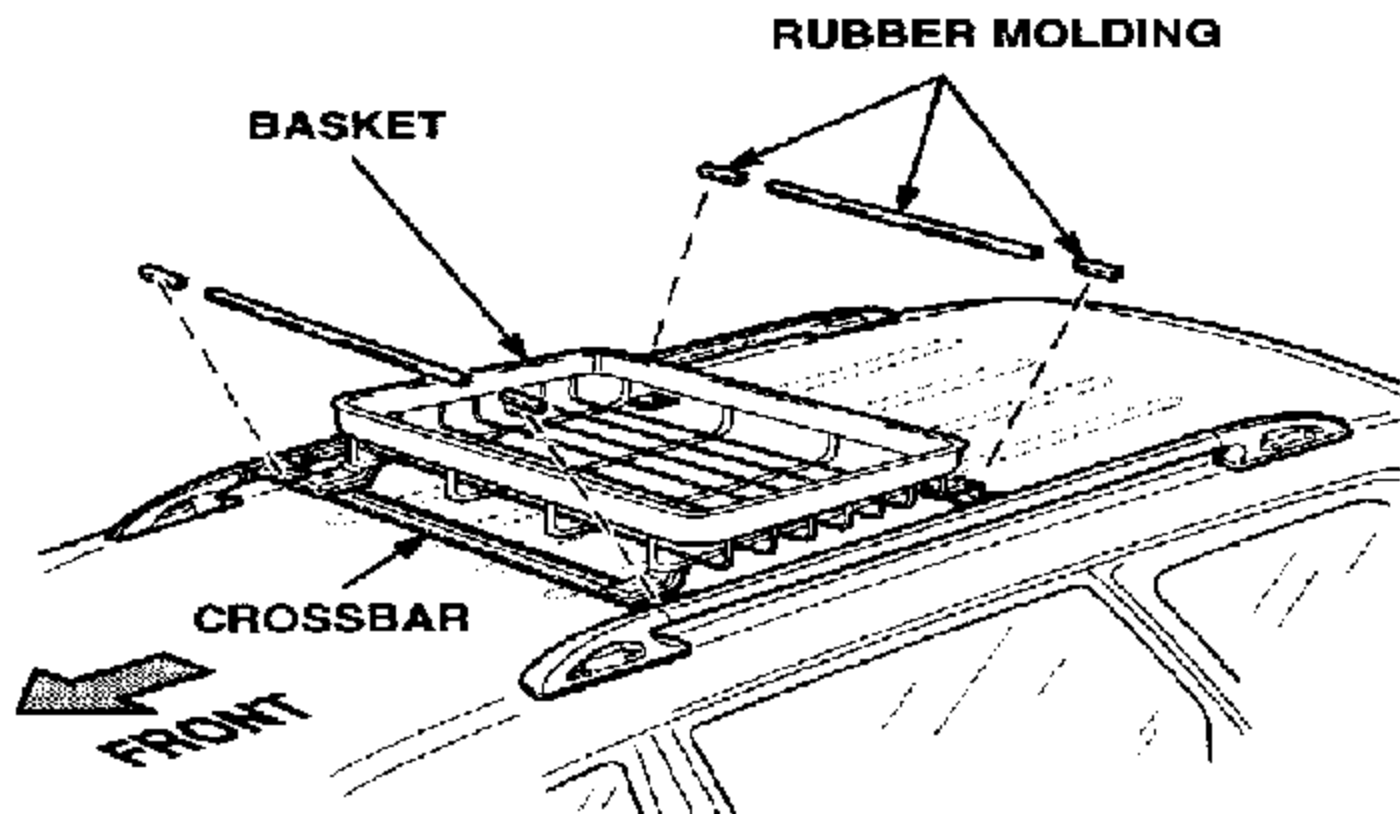
7. Loosen the front crossbar thumbwheel, slide the front crossbar all the way to the front of the vehicle, and tighten the front crossbar thumbwheels. Then loosen the rear crossbar thumbwheel, and slide the rear crossbar toward the back of the vehicle. Position the rear crossbar 31 3/4 inches from the front crossbar, measuring from the centerlines.



8. Center the basket on the roof rack, then align the four plate nuts with the four bolt holes in the basket. Install a 6 x 16 mm socket bolt with washer through each hole and into the plate nuts. Tighten each bolt securely with the Allen wrench supplied, then tighten the rear crossbar thumbwheels.



9. Measure, mark, and cut the rubber moldings removed in step 1 to fit into the center grooves of the crossbars. Insert the rubber molding pieces into the crossbars.



10. Put these instructions in the glove box for future reference, and put the Allen wrench in the glove box for future use.

NOTE:

- Check the security of the roof basket frequently, and retighten its socket bolts as necessary.
- Load cargo evenly in the roof basket, and secure it with a rope or tiedowns.
- Make sure that the weight of the cargo in the roof basket does not exceed 65 kg (143 lb).
- When driving with cargo in the roof basket, avoid making sharp turns and sudden stops or starts.