

PARTS LIST

Roof spoiler



Right bracket



Left bracket



2 Shoulder bolts



2 Bolts with nylon washer



2 Flange bolts



2 Collars

**TOOLS AND SUPPLIES REQUIRED**

#2 Phillips screwdriver

Eye protection (face shield, safety goggles, etc.)

Drill

4 mm, 8 mm and 12 mm Drill bits

10 mm Combination wrench

10 mm Socket

File

Block of wood (15 mm thick and 10 mm high)

Touch-up paint

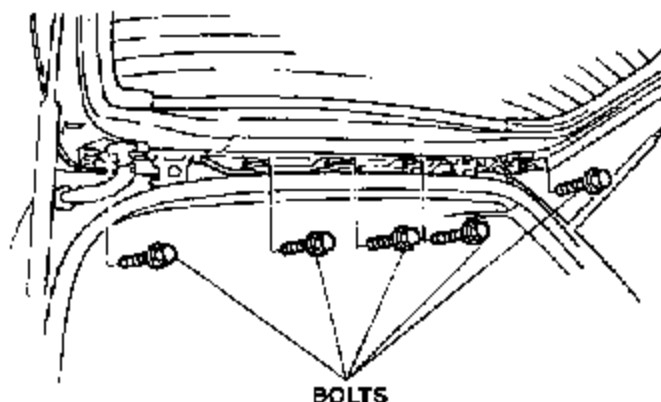
Utility knife

Torque wrench

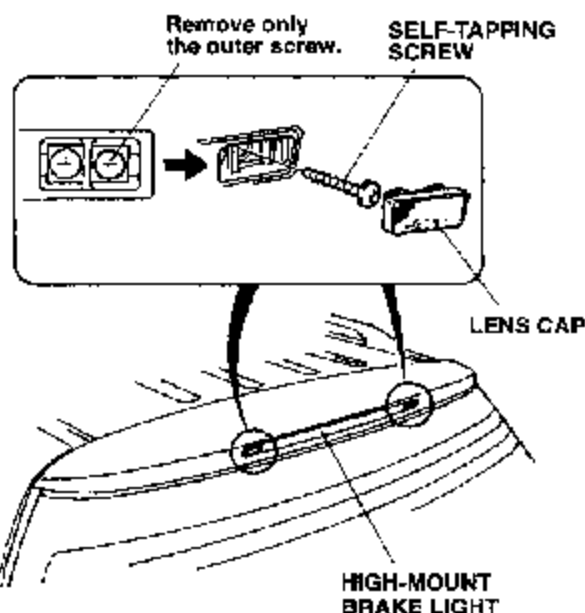
INSTALLATION**Before You Begin:**

- Make sure the area to be covered is clean and has been waxed with a high-quality paste wax.
- Be extremely careful not to damage the roof and other finished surfaces of the body.

1. Open the tailgate, and remove the five bolts fastening the tailgate spoiler.

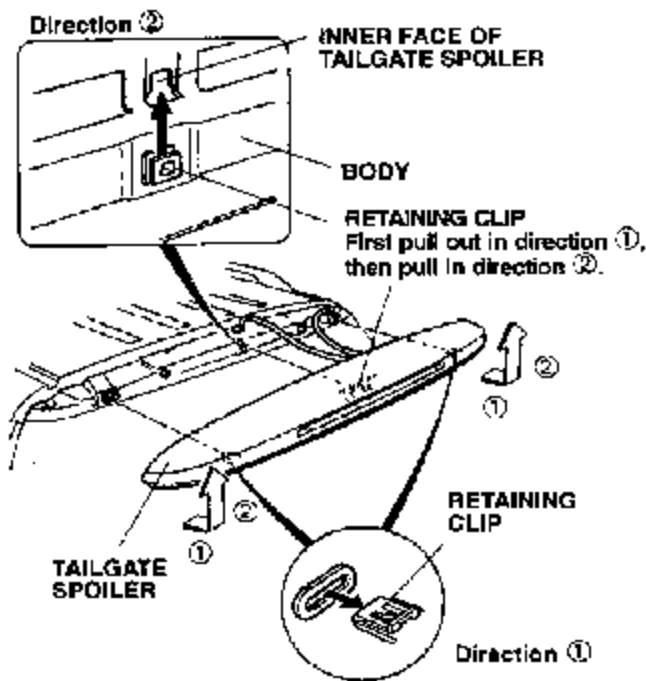


2. Close the tailgate, and remove the two lens caps and the two outer self-tapping screws from the high-mount brake light.

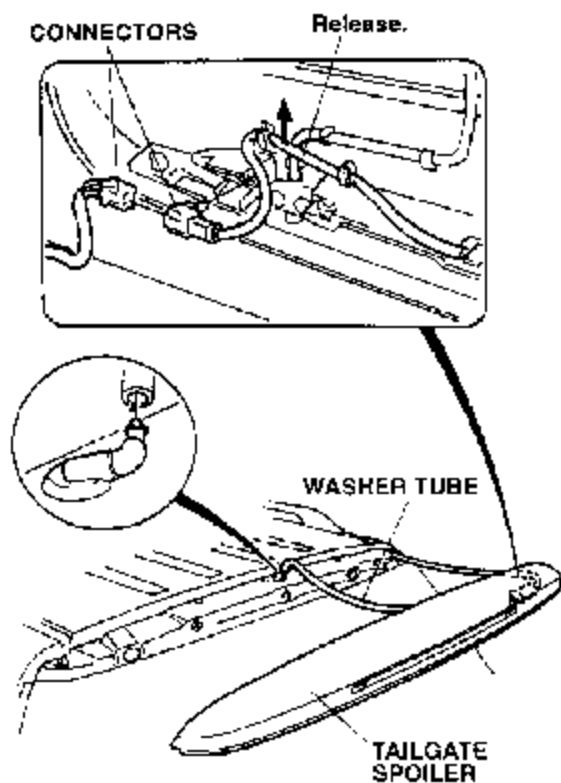


3. Pull the tailgate spoiler toward you in direction ① to release the right and left retaining clips, then pull it up in direction ② until it is clear of the center retaining clip.

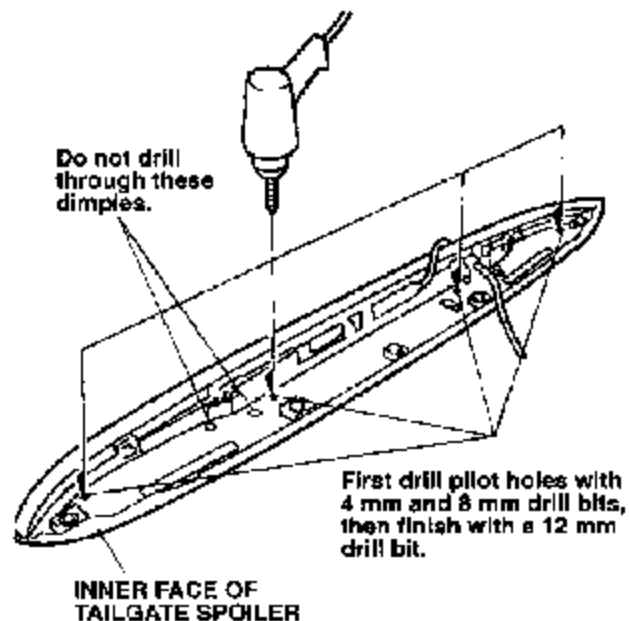
- The center retaining clip will be left on the body.
- Do not handle the spoiler by the high-mount brake light harness or washer tube.



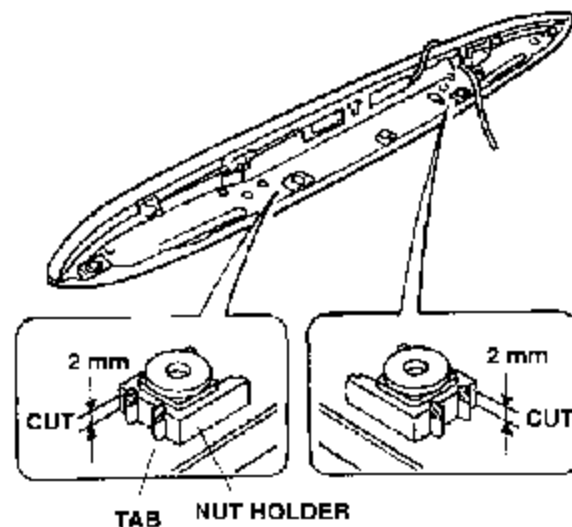
4. Unplug the high-mount brake light harness connectors, and disconnect the washer tube from the body fitting.



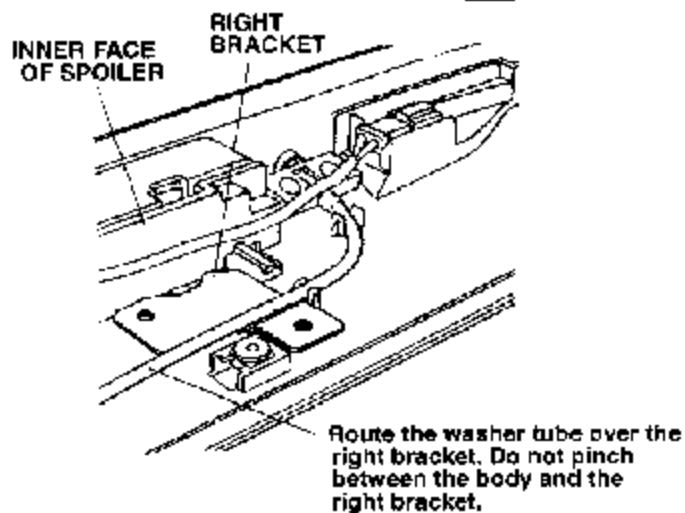
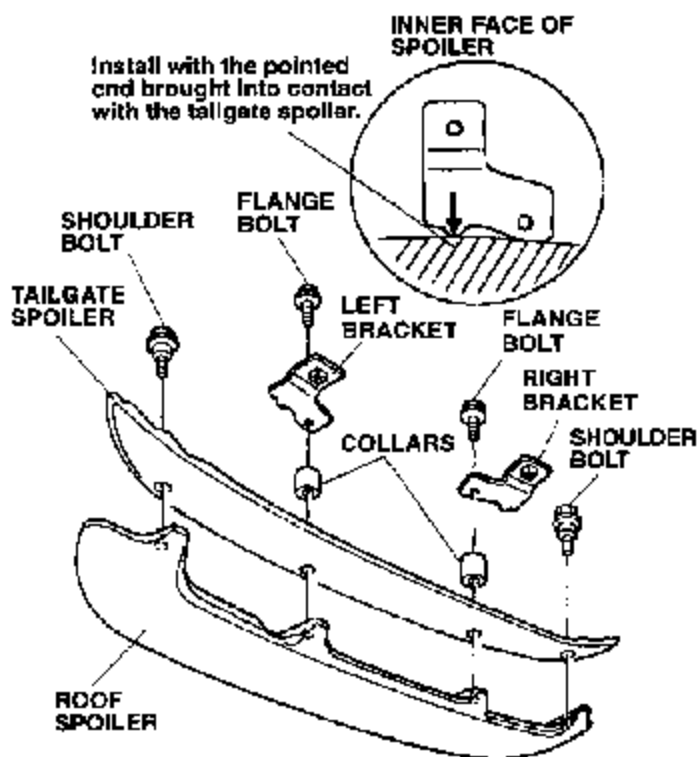
5. Turn the tailgate spoiler over, and locate the four dimples in the areas shown. While wearing eye protection, drill a 12 mm hole through each dimple. First drill pilot holes with 4 mm and 8 mm drill bits, then finish with a 12 mm drill bit. Remove all burrs.



6. Using the utility knife, cut off the tips of the tabs on the nut holders, as shown.



- Position the tailgate spoiler on the roof spoiler, and align the 12 mm holes with the nuts on the roof spoiler.

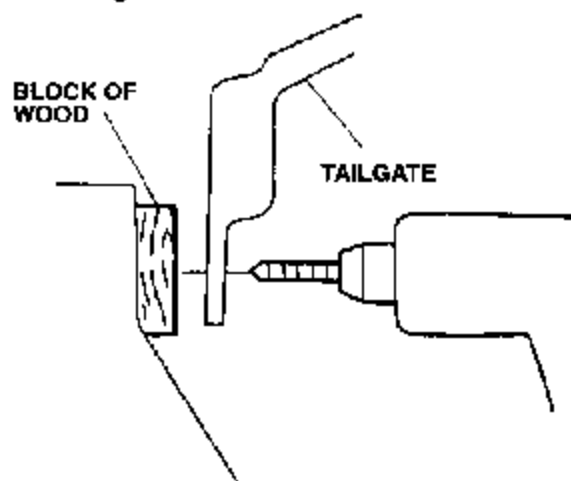


- Push a collar from the kit into each of the two center 12 mm holes of the tailgate spoiler.
- Install a shoulder bolt through the tailgate spoiler in each of the two outer nuts, as shown. Do not tighten the bolts yet.
- Position the right and left brackets on the tailgate spoiler over the collars, and install the two flange bolts.
- Torque all shoulder and flange bolts to 9 N·m (7 lb-ft).

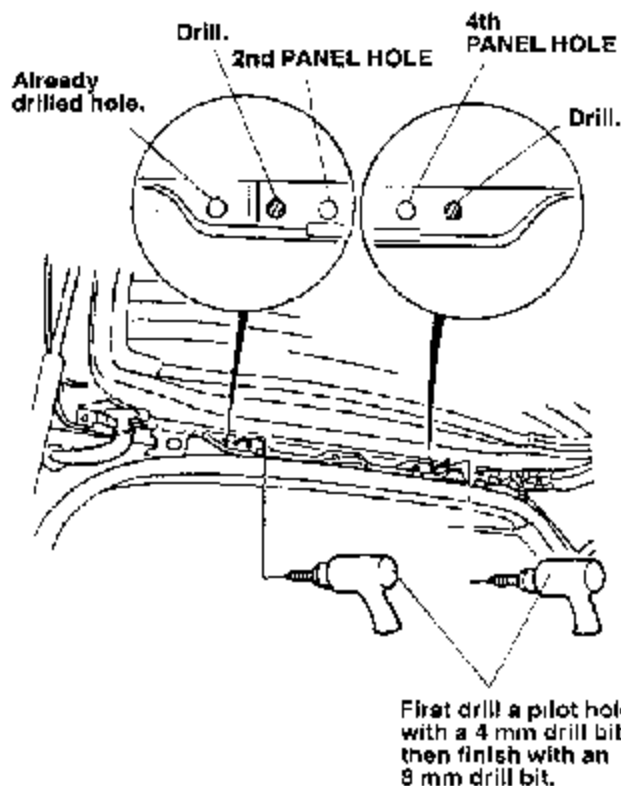
- Open the tailgate, and locate two dimples on the outer side of the second and fourth panel holes (counted from the left) from which the bolts were removed in step 1.

- Drill two 8 mm holes through the tailgate:

- Place a block of wood between the body and the tailgate.

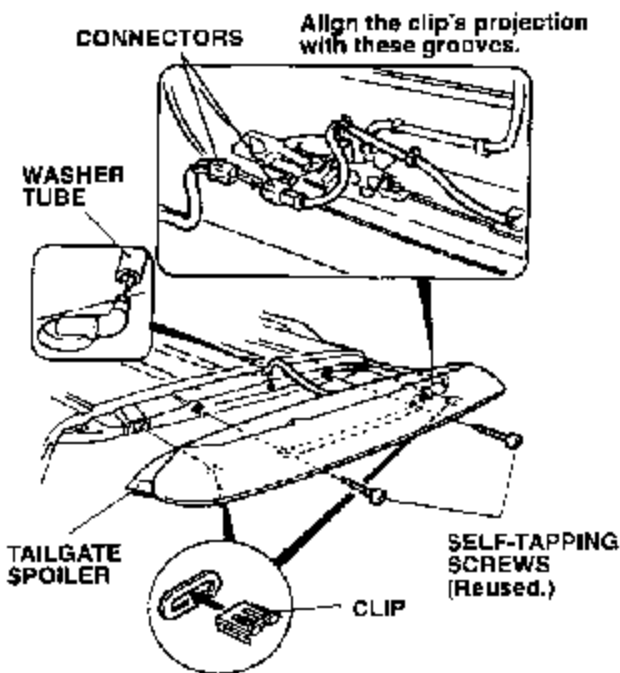
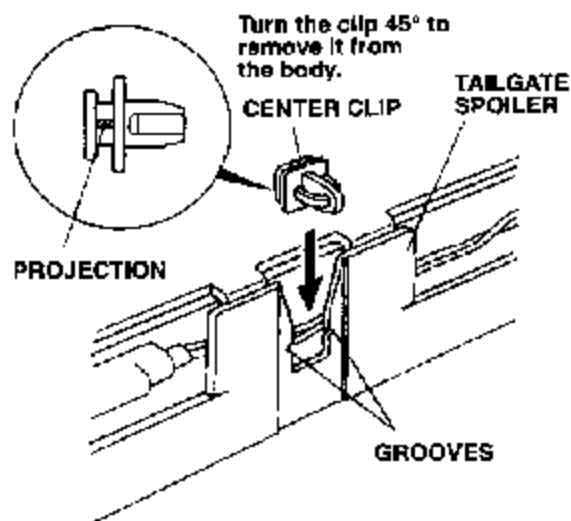


- While wearing eye protection, first drill a 4 mm pilot hole, then finish with an 8 mm drill bit.
- Remove all burrs, and apply touch-up paint.
- Repeat the above substeps on the other side of the tailgate panel hole.



14. Close the tailgate, and install the tailgate spoiler:

- Remove the center retaining clip from the body, and install it on the tailgate spoiler.



- Connect the high-mount brake light harness connectors.
- Connect the washer tube to the body fitting.
- Reposition the washer tube and the high-mount brake light harness in the clips on the tailgate spoiler.

- Install the tailgate spoiler on the body by inserting the right and left retaining clips into the body grommets and inserting the center clip onto the body panel.

- Install the two self-tapping screws, but do not tighten them yet.

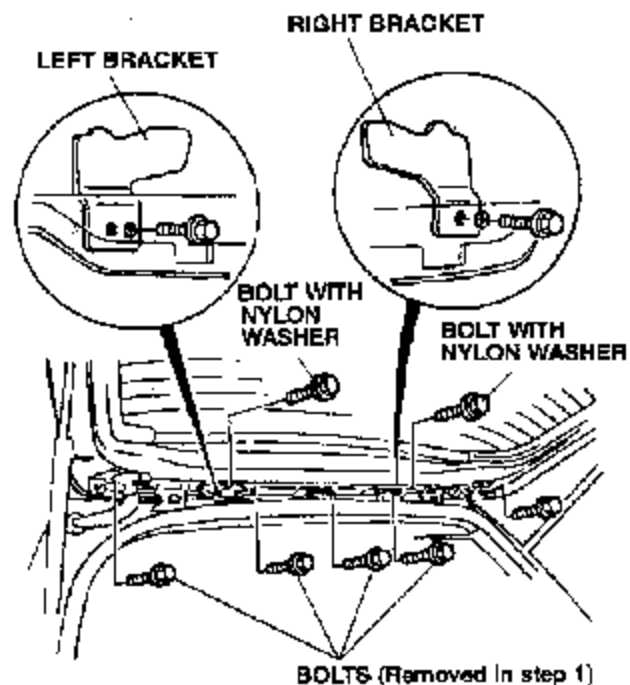
- Check that the tailgate spoiler does not interfere with the body when the tailgate is opened.

- Open the tailgate and install the five bolts removed in step 1. Do not tighten the bolts yet.

- Check again that the tailgate spoiler does not interfere with the body when the tailgate is opened.

- Temporarily install the two bolts with nylon washer in the holes of the bracket.

- Tighten all bolts securely.



- Close the tailgate, and tighten reinstall the two self-tapping screws and the lens caps removed from the high-mount brake light in step 2.