

**INSTALLATION
INSTRUCTIONS**

Accessory

SKI ATTACHMENT
P/N OBL03-SM5-102

Application

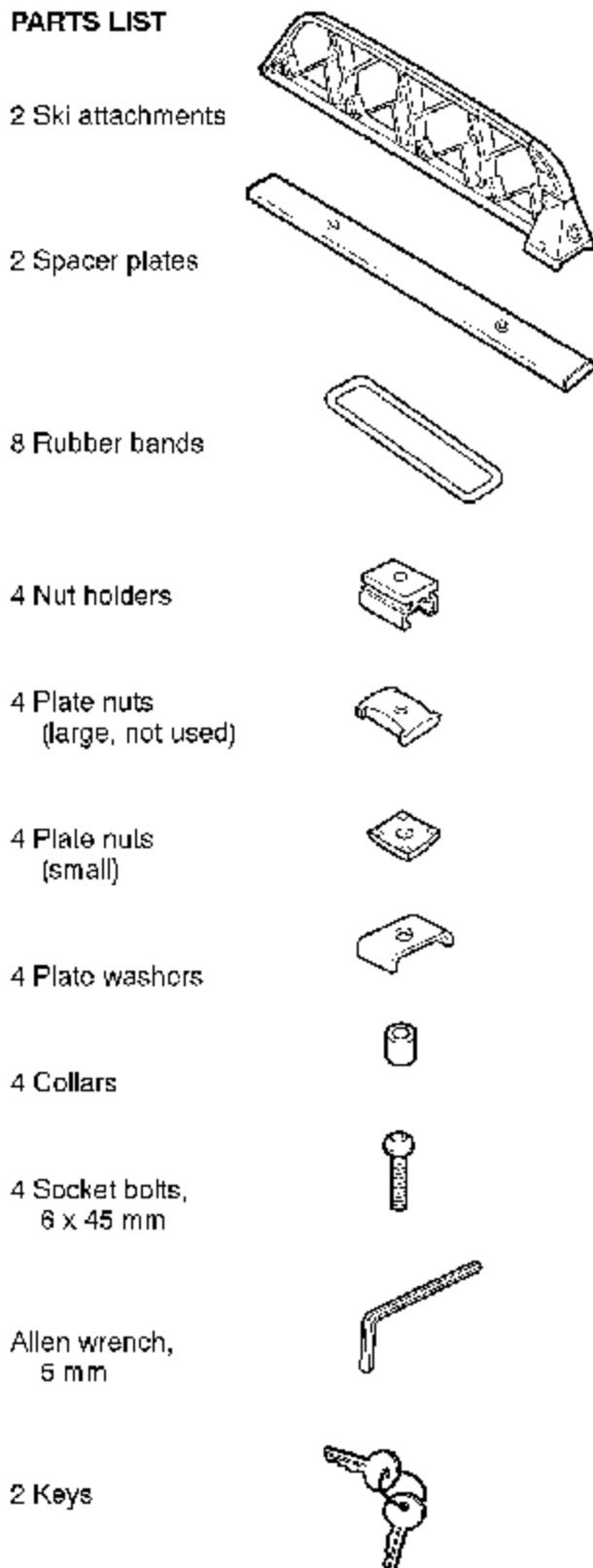
1997 ODYSSEY
WITH OPTIONAL
ROOF RACK

Publications No.

All 18321

Issue Date

OCT 1996

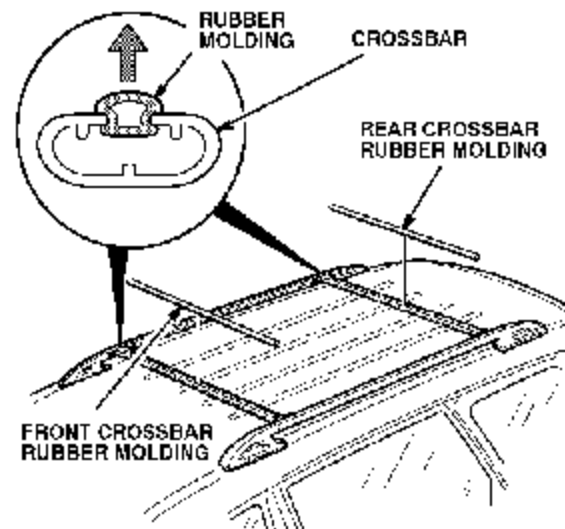
PARTS LIST2 Rubber moldings
(not used)4 Socket bolts,
6 x 38 mm, not used**TOOLS AND SUPPLIES REQUIRED**

#3 Phillips screwdriver
T-25 Torx driver
Measuring tape
Utility knife
Torque wrench

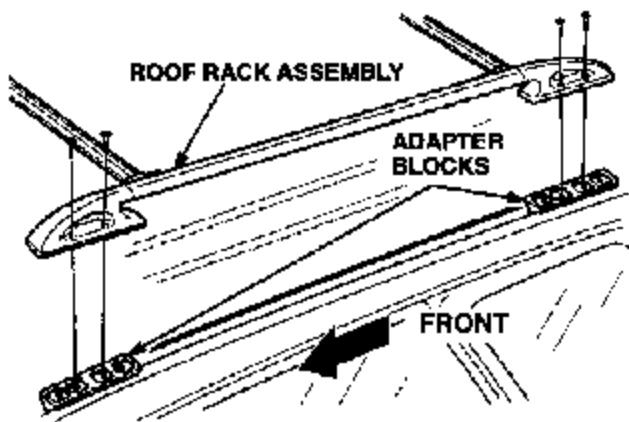
INSTALLATION**Before You Begin:**

Be careful not to damage the painted surfaces of the vehicle when installing the ski attachment.

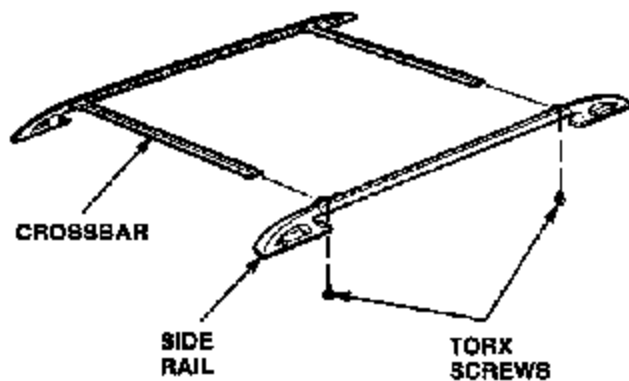
1. Remove the rubber molding from the front and rear roof rack crossbars. Retain the rubber molding to be reinstalled later if the ski attachment is removed.



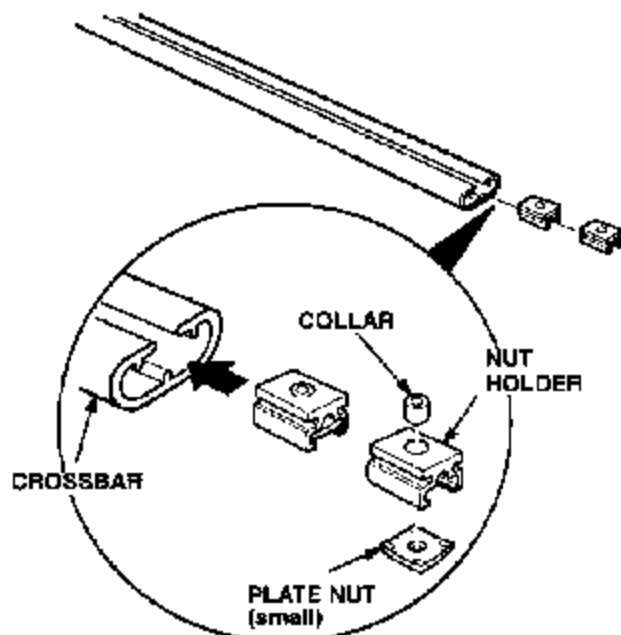
- Remove the roof rack assembly from the roof (eight Phillips screws). Leave the adapter blocks in their original positions.



- Using a T-25 Torx driver, remove the Torx screw from each roof rack crossbar (front and rear) on one side of the roof rack; then remove the side rail from the roof rack.



- Install a small plate nut (flat side up) into each of the four nut holders; then slide two of the plate nut assemblies into the center groove of the roof rack crossbar. Repeat this step for the other crossbar.



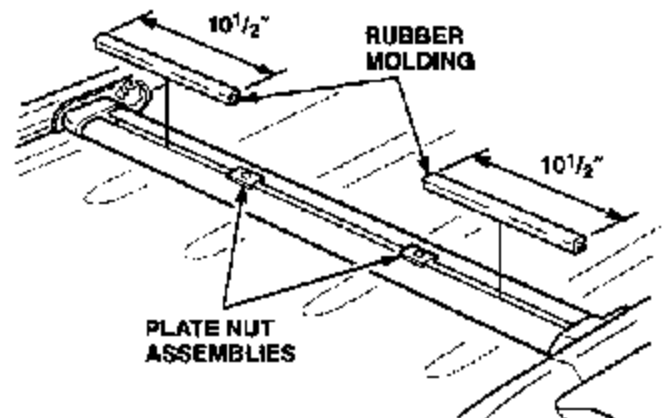
- Reinstall the side rail onto the roof rack with the Torx screws removed in step 3. Tighten the screws securely.

- Reinstall the roof rack, and tighten the eight screws securely. Torque the Phillips screws to 7 to 11 N·m (5 to 8 ft·lb).

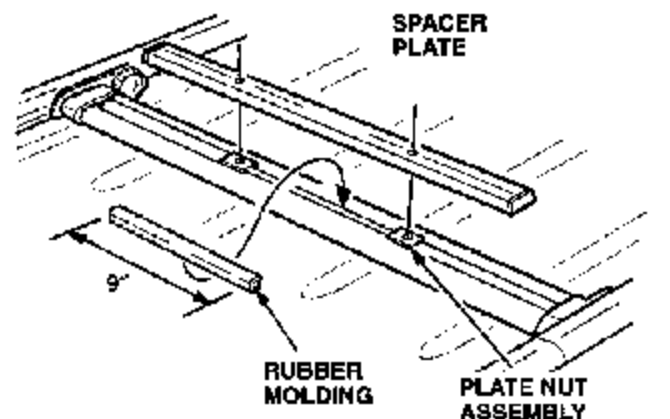
- Measure, mark, and cut the rubber moldings removed in step 1 to these lengths:

- Cut two pieces to measure 9 inches (230 mm).
- Cut four pieces to measure 10¹/₂ inches (267 mm).

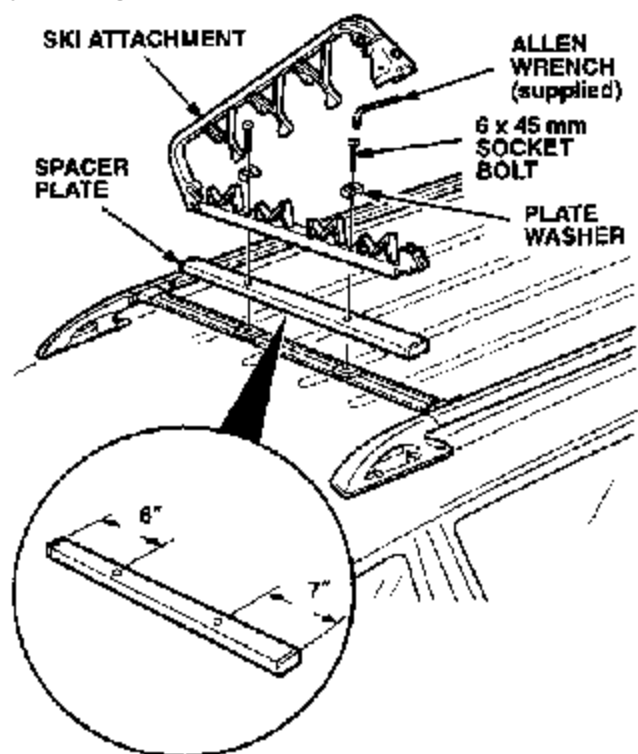
- Install a 10¹/₂-inch piece of rubber molding on each end of the crossbar between the side rail and the plate nut assemblies, then slide the plate nut assemblies up to the rubber molding.



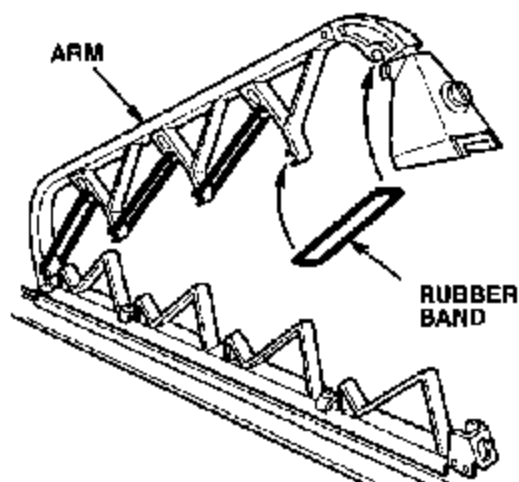
- Check the alignment of the plate nut assemblies by laying the spacer plate over the crossbar. Once the plate nut assemblies are in position, install a 9-inch rubber molding piece between the two plate nut assemblies on the crossbar.



10. For one of the ski attachments, center the spacer plate over the crossbar with the longer end on the passenger's side of the vehicle. Open the ski attachment, and install it over the spacer plate with the lock facing the passenger's side of the vehicle.



11. Secure the ski attachment to the crossbar with two plate washers and two socket bolts. Tighten the bolts securely with the Allen wrench supplied with the ski attachment.
12. Attach the four rubber bands to the brackets on the arm.



13. Swing the arm down, and engage the lock pin with the latch plate; then lock the arm in place with the key.
14. Repeat steps 8 through 13 for the other ski attachment.
15. Put these instructions in the glove box for future reference.

USING THE SKI ATTACHMENT

When using the ski attachment, follow these guidelines:

- Do not exceed the maximum capacity of the ski attachment: four sets of skis and poles.
- To deter theft of the skis/poles, make sure you engage the lock pin with the latch plate and lock the arm in place with the key.
- Check the security of the ski attachment and the skis/poles frequently; retighten the mounting screws if necessary.
- Before loading the skis/poles, make sure they are properly latched.
- When the skis/poles are loaded, make sure the hatch does not hit skis or poles when the hatch is open.
- When driving with the skis/poles on the ski attachment, avoid making sudden stops and starts.